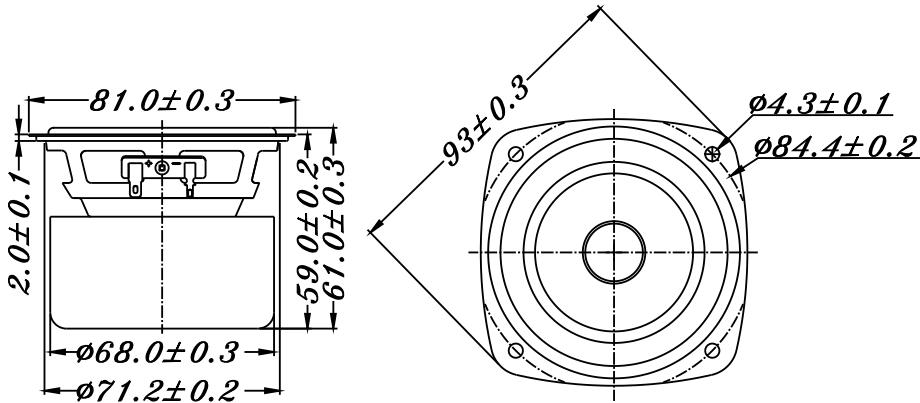


F SERIES

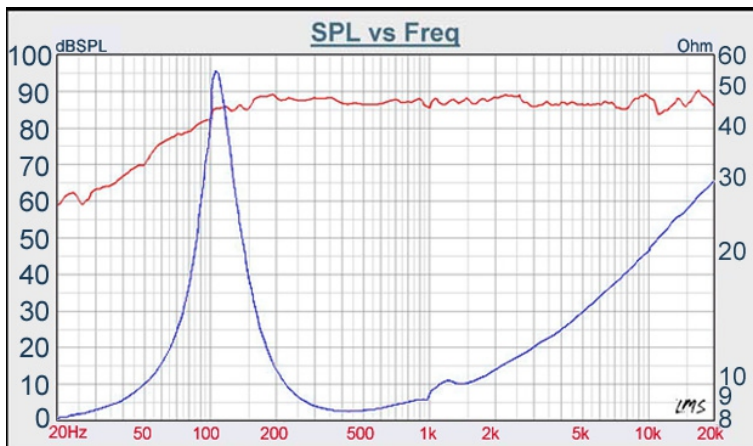
W3-593SF



- UNDERHUNG DESIGN SYSTEM
- CCAW / KAPTION BOBBIN
- FULL RANGE FREQUENCY RESPONSE
- STAMPING STEEL BASKET
- PAPER CONE WITH SANTOPRENE SURROUND
- MAGNETICALLY SHIELDED
- ALUMINUM PHASE PLUG COOLING

3" PAPER CONE/ FULL RANGE

DIAPHRAGM MTL	Silver Color Coated paper
SURROUND MTL	Santoprene
NOMINAL IMPEDANCE	8 Ω
DCR IMPEDANCE	6.6 Ω
SENSITIVITY 1W/1m	86 dB
FREQUENCY RESPONSE	110 - 20K Hz
FREE AIR RESONANCE	110 Hz
VOICE COIL DIAMETER	18.4 mm
AIR GAP HEIGHT	6 mm
RATED POWER INPUT	12 W
MAXIMUM POWER INPUT	25 W
FORCE FACTOR, BL	3.17 TM
TYPE OF MAGNET	Ferrite
MOVING MASS	2 g
FERROFLUID ENHANCED	No
SUSPENSION COMPLIANCE	1834 μMN^{-1}
EFFECTIVE PISTON AREA	0.0032 M^2
Levc	0.084 mH
Zo	67 Ω
X-max	0.5 mm
Vas	2.67 Liter
Qts	0.58
Qms	5.64
Qes	0.64



VOICE: 886.2.26570282 FAX: 886.2.26580166
E-MAIL: info@tb-speaker.com