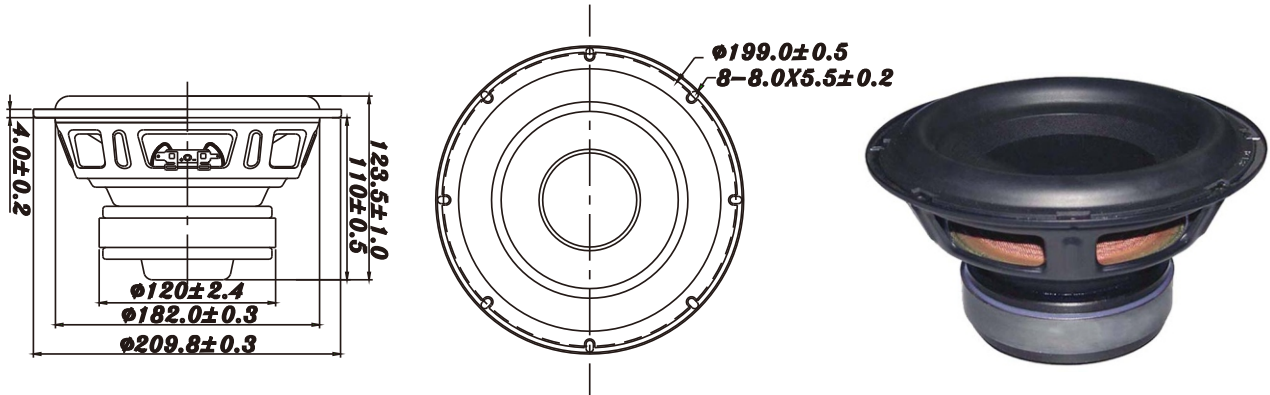


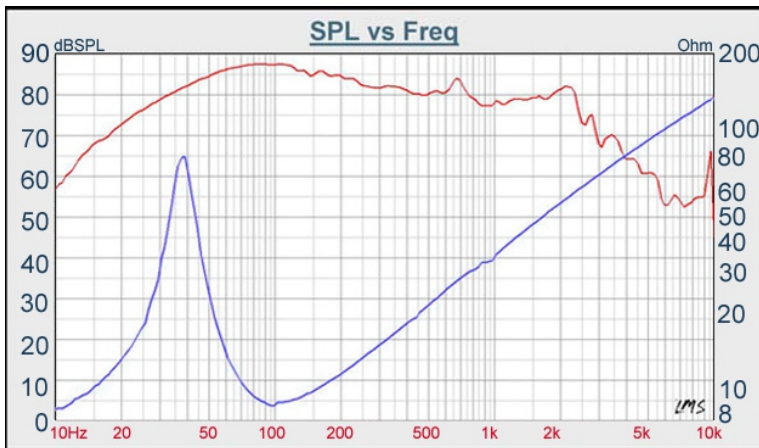
SU SERIES

W8-670Q



- PAPER CONE WITH WILD TEMPERATURE RUBBER SURROUND
- LONG THROW, HIGH POWER LOADING DESIGN, Xmax = 7mm VENTED POLE PIECE
- STAMPED STEEL BASKET
- SUITABLE FOR SUBWOOFER APPLICATION
- EXTREMELY LINEAR EXCURSION DESIGN

8" PAPER SUBWOOFER



DIAPHRAGM MTL	Paper
SURROUND MTL	Rubber
NOMINAL IMPEDANCE	8 Ω
DCR IMPEDANCE	6.5 Ω
SENSITIVITY 1W/1m	86 dB
FREQUENCY RESPONSE	38-500 Hz
FREE AIR RESONANCE	38 Hz
VOICE COIL DIAMETER	38.5 mm
AIR GAP HEIGHT	8 mm
RATED POWER INPUT	70 W
MAXIMUM POWER INPUT	140 W
FORCE FACTOR, BL	12.26 TM
TYPE OF MAGNET	Ferrite
MOVING MASS	49.89 g
FERROFLUID ENHANCED	No
SUSPENSION COMPLIANCE	362.993 uMN ⁻¹
EFFECTIVE PISTON AREA	0.022 M ²
Levc	0.961 mH
Zo	80 Ω
X-max	7 mm
Vas	24.95 Litr
Qts	0.46
Qms	5.35
Qes	0.51

VOICE:886.2.26570282 FAX:886.2.26580166
E-MAIL :info@tb-speaker.com